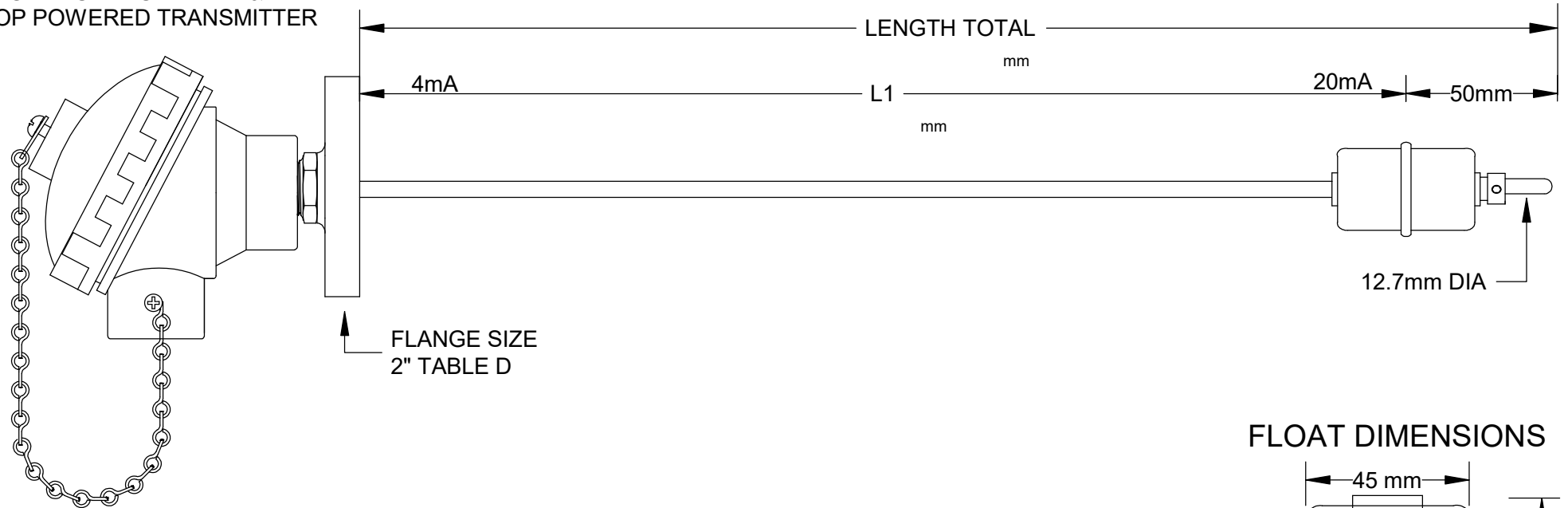


CONTINUOUS LEVEL MEASUREMENT 4-20 mA OUTPUT (LOOP POWERED) 5mm RESOLUTION

LARGE ALUMINIUM HEAD &
LOOP POWERED TRANSMITTER

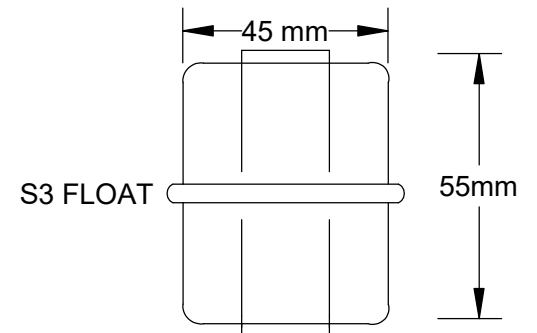


- CONTINUOUS LEVEL CONTROL
- RESISTIVE CHAIN INPUT TO INHEAD TRANSMITTER

PROCESS CAPABILITIES

- STAINLESS STEEL CONSTRUCTION
- MAXIMUM LENGTH 2000mm
- SPECIAL FLANGES AND LENGTHS AVAILABLE
- SPECIFIC GRAVITY 0.65
- TEMPERATURE RATING 100°C MAXIMUM
- PRESSURE RATING :30 kg/cm2 MAXIMUM
- VACUUM - 760 Hg (MAXIMUM)
- 45mm DIAMETER 316 STAINLESS STEEL FLOAT
- 5mm RESOLUTION

FLOAT DIMENSIONS



TEMPERATURE CONTROLS PTY LTD

QUALITY ENDORSED COMPANY
Certificate No: QEC 14412
AS/NZS 9001:2008

CONDITIONS

THIS DRAWING IS OUR EXCLUSIVE PROPERTY AND MUST NOT BE COPIED OR HANDED TO ANY OTHER PARTIES WITH OUT WRITTEN PERMISSION. IT SHALL BE RETURNED UPON REQUEST

SYDNEY: 7 YAMMA ST SEFTON NSW 2162
PHONE: (02) 9721 8644 FAX: (02) 9738 9339
MELBOURNE: 8/280 WHITEHALL ST YARRAVILLE VIC 3013
PHONE: (03) 9687 0000 FAX: (03) 9687 1900
BRISBANE: 28A/125 KERRY RD ARCHERFIELD QLD 4108
PHONE: (07) 3373 8424 FAX: (07) 3373 8067
EMAIL: sales@temperature.com.au

TITLE

SIZE : A4

DATE : 03/08/21

DWG NO :SD 737

SCALE : NTS

DRAWING BY KL

REV: 04